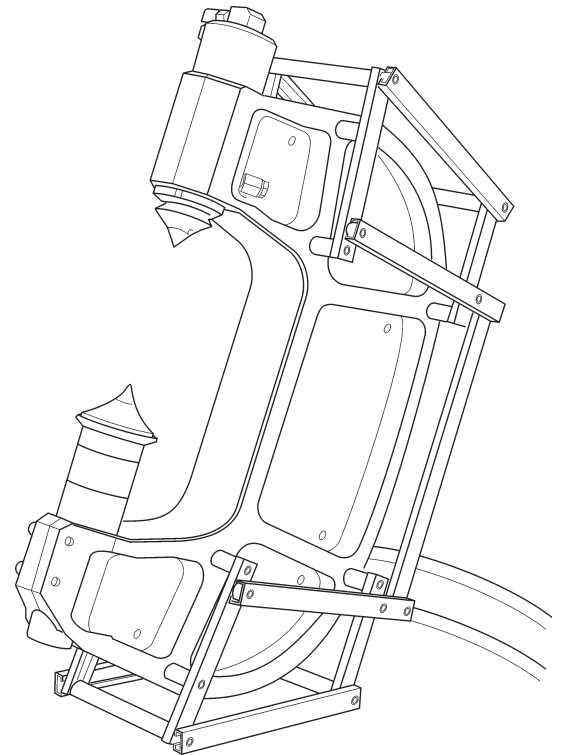


Operating Instructions

Crusher BZ

Index 004



Congratulations!

With a Hydrostress unit from TYROLIT, you have chosen a tried and tested piece of equipment which has been designed and built to leading technical standards. Only genuine TYROLIT Hydrostress replacement parts can guarantee quality and interchangeability. If maintenance work is neglected or carried out inexpertly we will be unable to honour our warranty obligations. Any repair work must be carried out by trained personnel only.

Our aftersales service is available to help ensure that your TYROLIT Hydrostress units remain in perfect working order.

We hope that working with your TYROLIT unit will be a satisfying and fault-free experience.

TYROLIT Hydrostress

Copyright © TYROLIT Hydrostress

TYROLIT Hydrostress AG
Witzbergstrasse 18
CH-8330 Pfäffikon
Switzerland
Tel. 0041 (0) 44 952 18 18
Fax 0041 (0) 44 952 18 00

1 Safety



Failure to comply with the safety instructions in these Operating Instructions may result in serious injury or death, and damage to property.

- ▶ Ensure that the Operating Instructions have been read and fully understood.



DANGER

Allergic reactions may result if skin comes into contact with hydraulic oil.

- ▶ Persons who have an allergic reaction to hydraulic oil must wear protective gloves and goggles when carrying out work where they come into contact with hydraulic oil. Any areas of the skin affected must be rinsed immediately with copious amounts of water.



DANGER

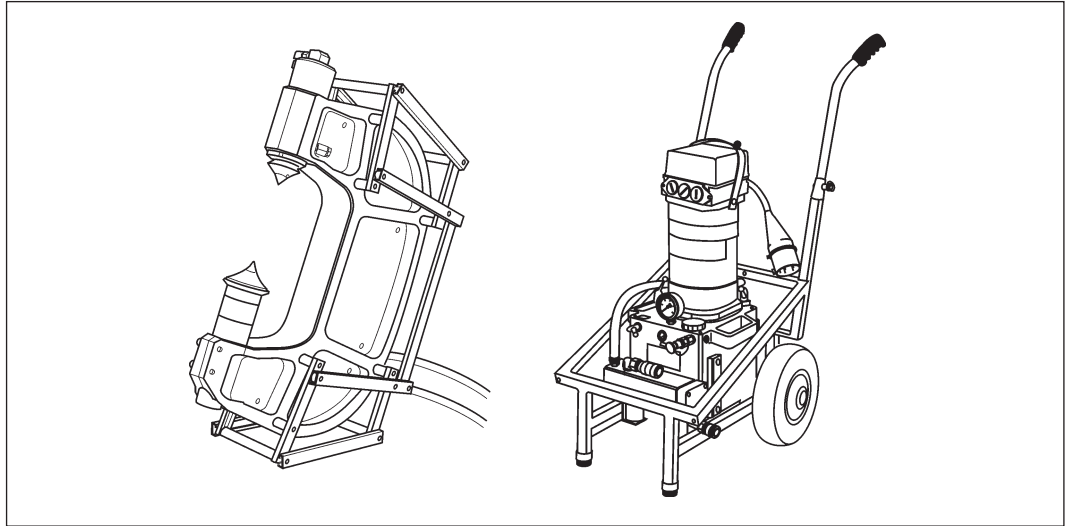
Serious injury or material damage as a result of uncontrolled movements of the crusher and its hydraulic lines.

- ▶ Never connect or disconnect hoses while the drive unit is running.
- ▶ Ensure that the hydraulic lines cannot become damaged by falling concrete or parts thereof.

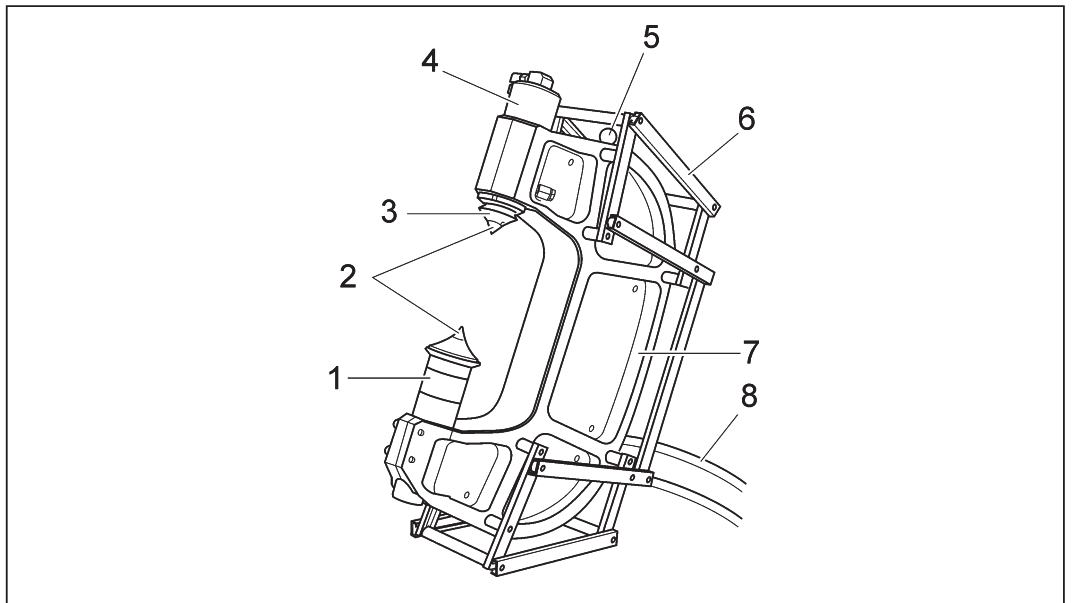
2 Description

2.1 System

The Crusher BZ is supplemented by a TYROLIT Hydrostress drive unit to form the concrete crusher system.



2.2 Main components



Main components

- | | | | |
|---|------------------------|---|-----------------|
| 1 | Spacer rings | 6 | Bearer frame |
| 2 | Steel tip | 7 | Crusher stirrup |
| 3 | Crusher tip | 8 | Hose package |
| 4 | Crusher cylinder | | |
| 5 | Distributing regulator | | |

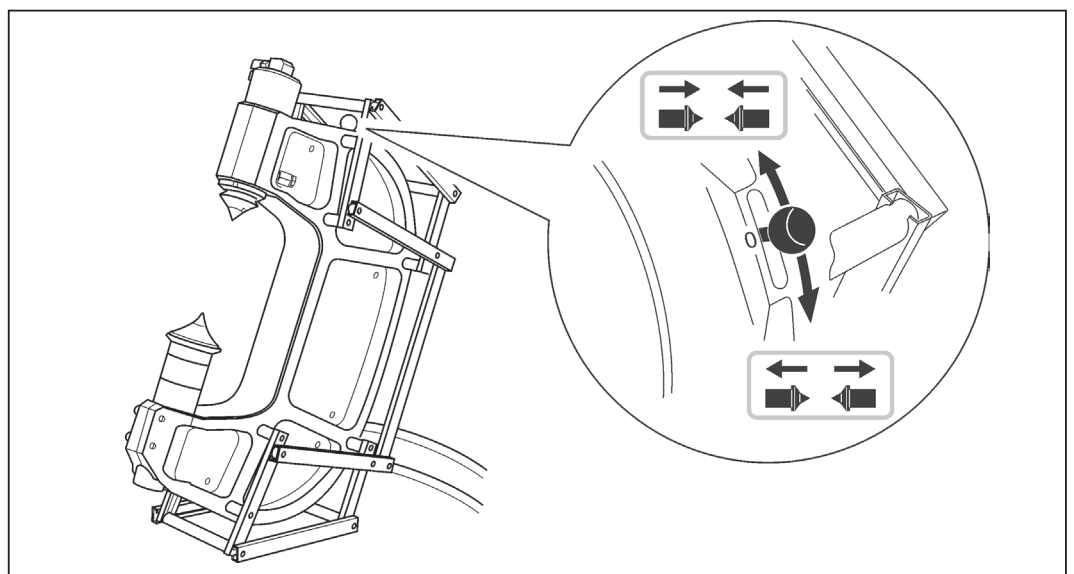
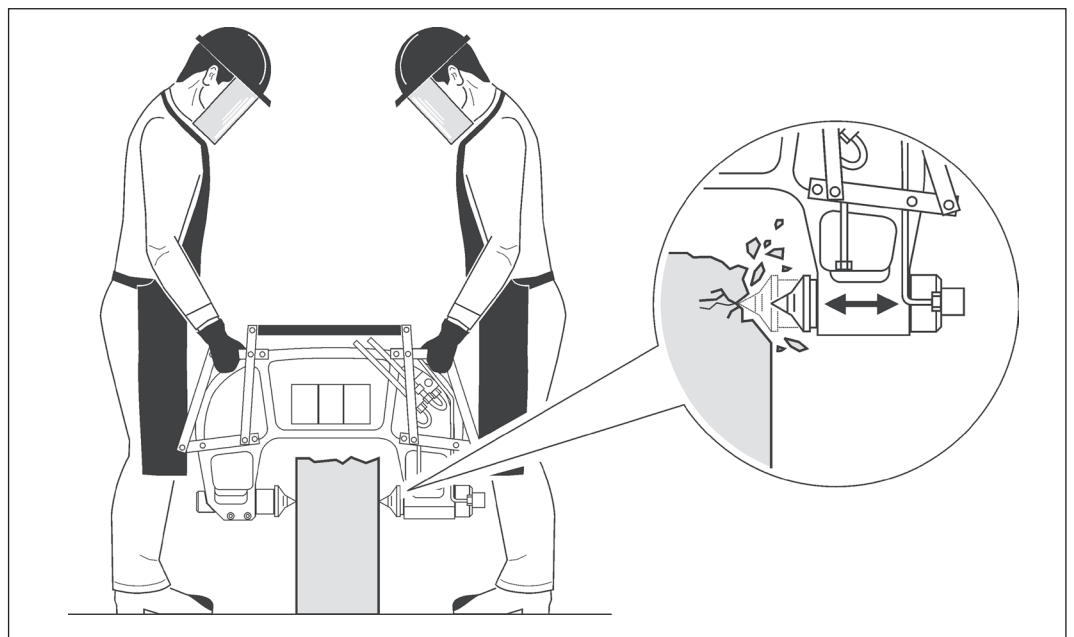
3 Application and function

3.1 Application

- Crushing of cut-outs (e.g. door cut-outs)
- Taking down of walls
- Increasing cut-outs in walls and ceilings
- Crushing of blocks of concrete and natural stone

All warranties and liability lapse in the event of use other than for the intended application.

3.2 Function



Function

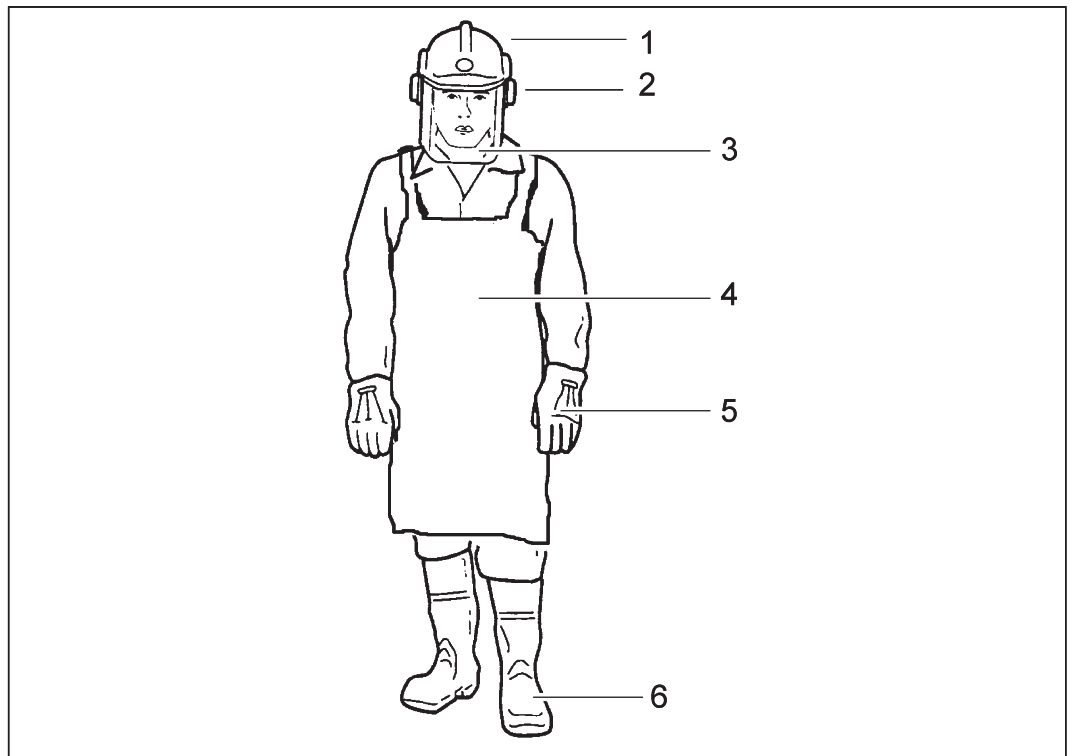
4 Operation

4.1 Safety instructions to prevent accidents



The crusher should only be used by trained persons.
Before starting work the Operating Instructions must be read and understood.

4.1.1 Protective clothing

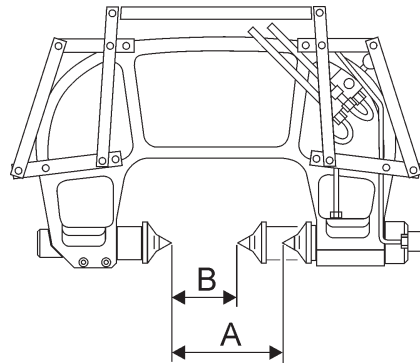


Main components

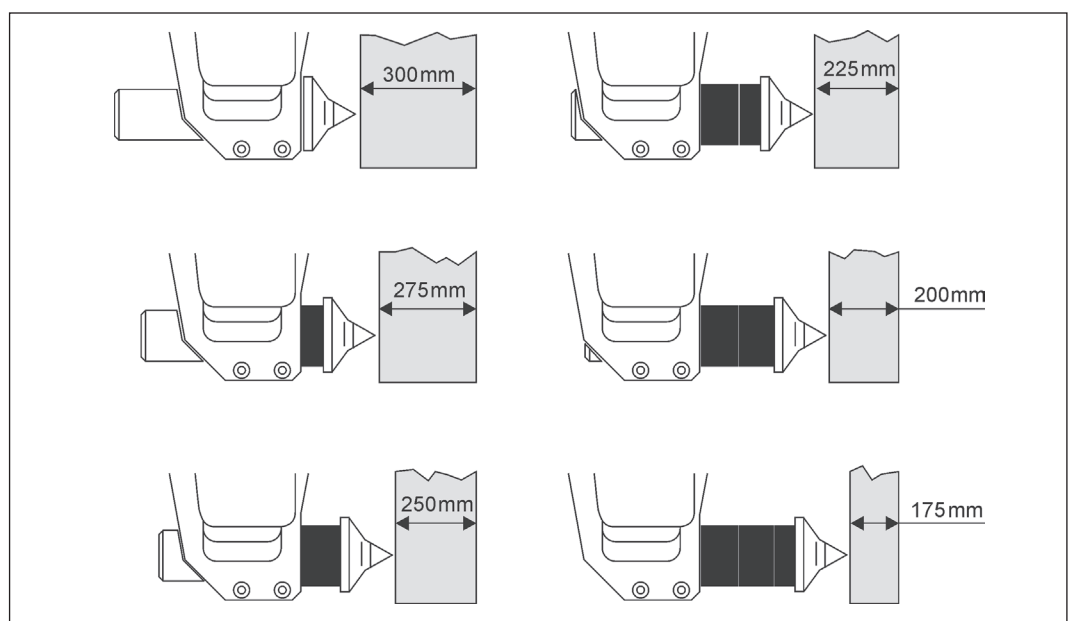
- | | |
|-------------------|-----------------------------------------------------------|
| 1 Safety helmet | 4 Leather apron |
| 2 Ear protectors | 5 Safety gloves |
| 3 Face protection | 6 Boots with instep and shin protection and steel toecaps |

4.2 Preparatory operations

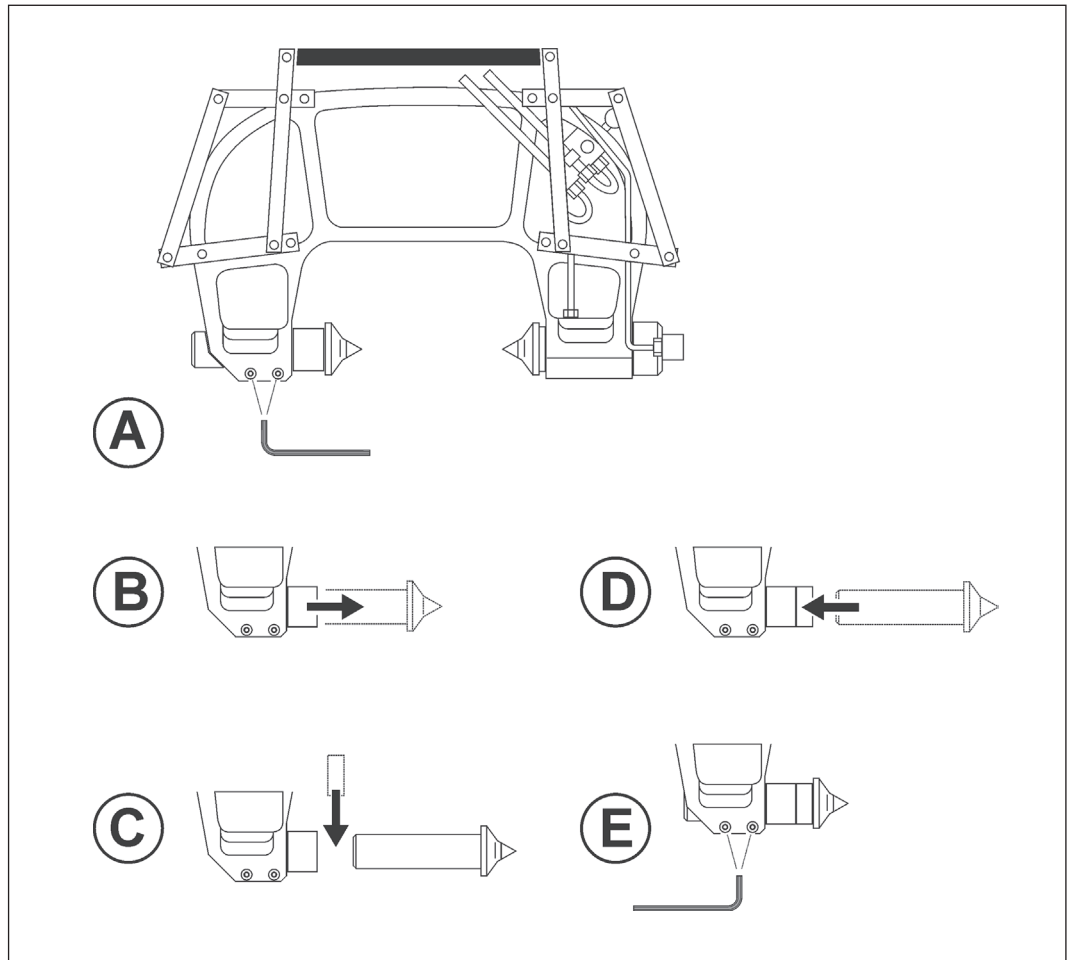
Setting the crusher for the wall thickness



Wall thickness in mm	Centre distance in mm		Spacer rings	
	A Piston withdrawn	A Piston extended	Qty.	Width in mm
300	320	180	-	-
275	295	155	1	25
250	270	130	1	50
225	245	105	1 1	50 25
200	220	80	2	50
120-175	205	65	2 1	50 25

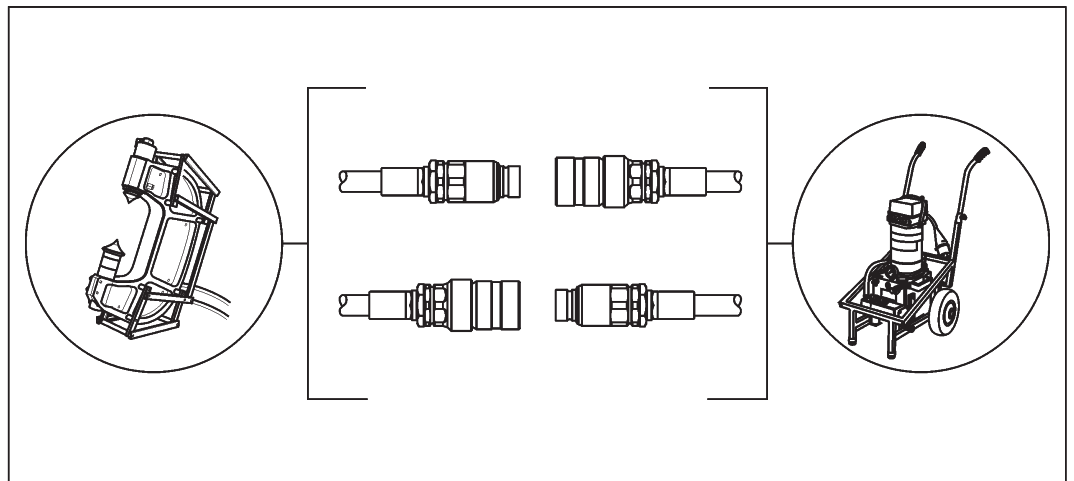


4.2.1 Fit spacer rings



4.2.2 Connect crusher to the drive unit

- ✓ The drive unit is isolated from the power supply
- ✓ Couplings are clean
- ✓ Hoses are undamaged



4.3 Directions for use

4.3.1 Danger area

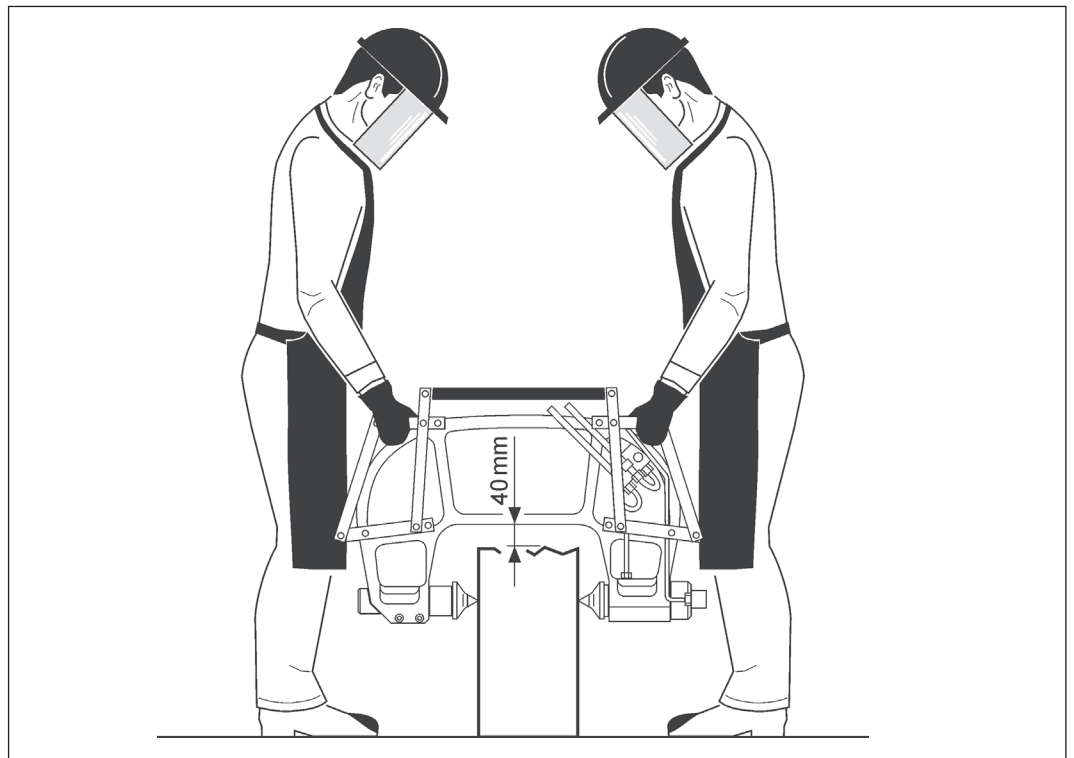


DANGER

Serious injury or damage to property may result from uncontrolled flying-off of lumps of concrete or stone.

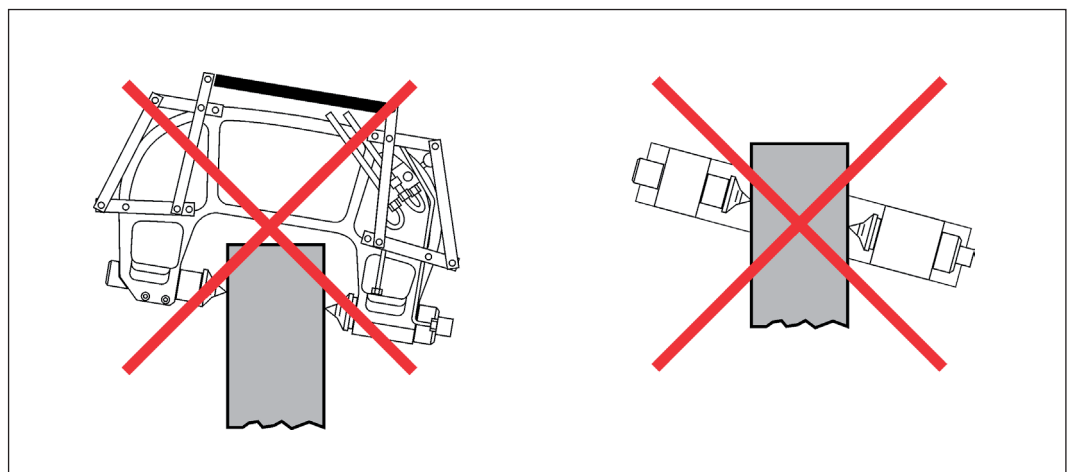
- ▶ Secure the danger area by barriers or notices.

4.3.2 Minimum clearance (40 mm) crusher / pressing element

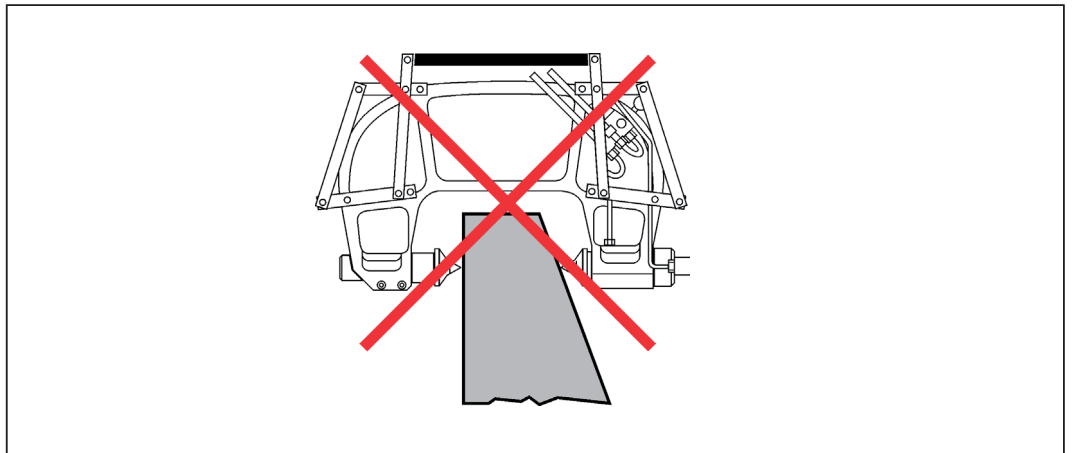


Minimum clearance

4.3.3 Never position the crusher at an angle or tilt it



4.3.4 Do not apply the crusher to inclined or round surfaces



4.3.5 The crusher must always be operated by two persons



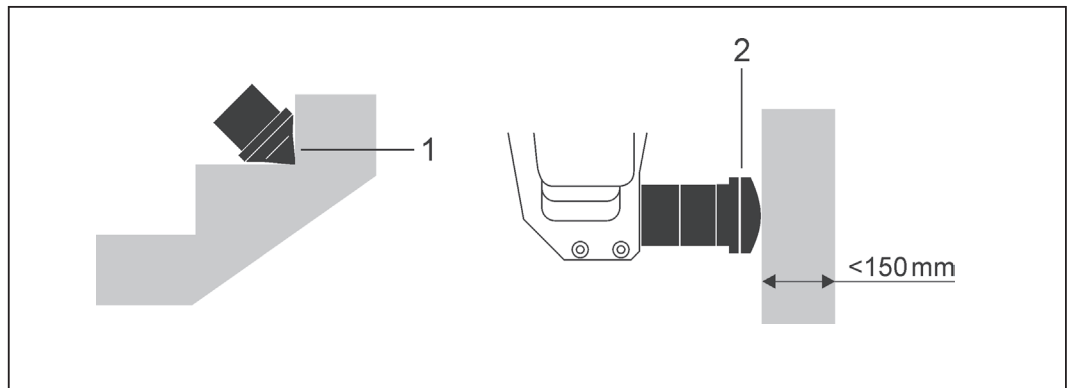
4.3.6 Modifications to the crusher



The crusher must not be modified in any way (e.g. by drill-holes or welding). Modifications and repairs should only be performed by TYROLIT Hydrostress staff.

5 Accessories

5.1 Pressure heads



Accessories

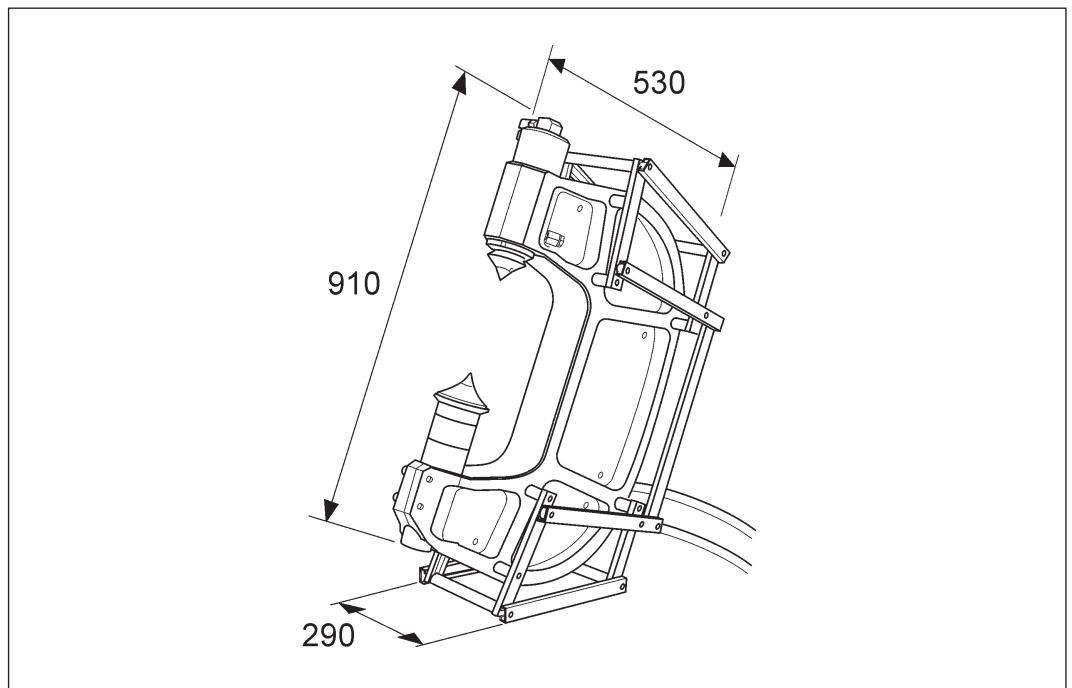
- | | | |
|---|-------------------------------------------------|--------------------|
| 1 | Pressure head for dismantling of steps | Article No. 974203 |
| 2 | Pressure head for wall thicknesses below 150 mm | Article No. 974204 |

6 Servicing and maintenance

Maintenance and servicing table		Before every commissioning	At end of work	Weekly	Yearly	After faults	After damage
Crusher tips	▶ Check for damage	X	X			X	X
Crusher stirrup	▶ Check for distortion and cracks	X	X			X	X
Bearer frame	▶ Check for firm seating and absence of damage	X	X			X	X
Distributing regulator	▶ Check for leaks	X					
	▶ Check for correct operation	X				X	X
Crusher cylinder	▶ Check for leaks	X				X	X
	▶ Check for correct operation	X				X	X
Hydraulic connections	▶ Check for correct operation	X	X			X	X
	▶ Check for leaks	X				X	X
Service	▶ To be performed by TYROLIT Hydrostress AG or an authorised workshop.	After 100 / 300 / 500 / 700 hours					

7 Technical data

7.1 Dimensions



Measurements in mm

7.2 Weight

Weight	
Parameter	Value
Crusher, including spacer rings	29 kg

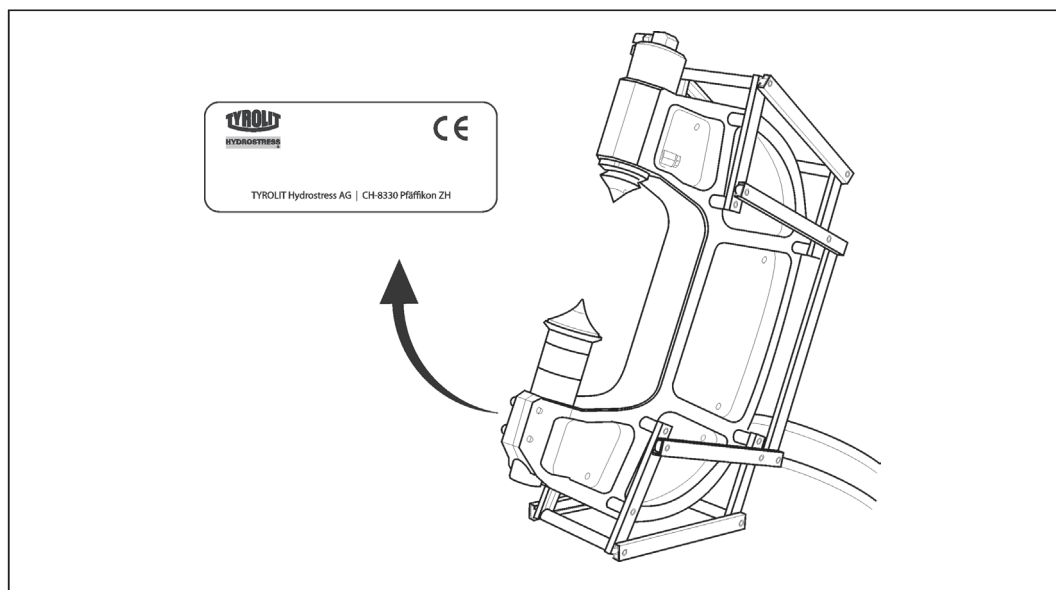
7.3 Crushing force

Crushing force	
Parameter	Value
Max. crushing force	30 t
For wall thicknesses	of 10 cm to 30 cm

7.4 Hydraulics

Hydraulics	
Parameter	Type
Hydraulic cylinder	TYHS max. 30 t at 750 bar

7.5 Name plate



8 EC Declaration of Conformity

Description	Crusher
Type designation	BZ
Year of construction	2003

We declare under our sole responsibility that this product complies with the following directives and standards:

Directive applied

Machinery directives 2006/42/EC

Applied standards

EN 12100-1	Safety of machines – Basic concepts, general design principles.
EN 12100-2	
EN 294	Safety of machinery – Safety distances to prevent upper limbs reaching danger areas.
EN 349	Safety of machinery – Safety distances to avoid crushing of body parts.
EN 982	Safety of machinery Safety requirements for safety systems and their components – Hydraulics.